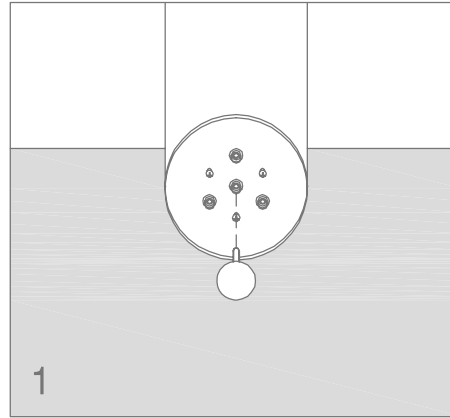
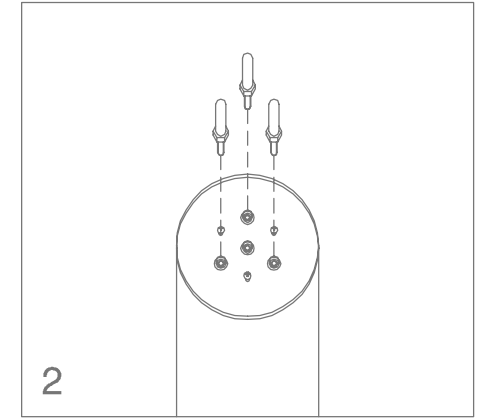




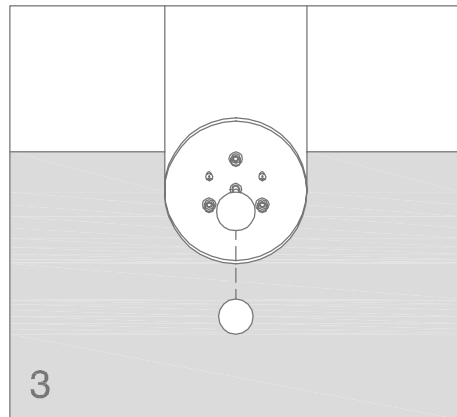
pole installation instructions



screw the foot in to the centre hole at one end of the unit - either end is ok as poles can be installed either way up



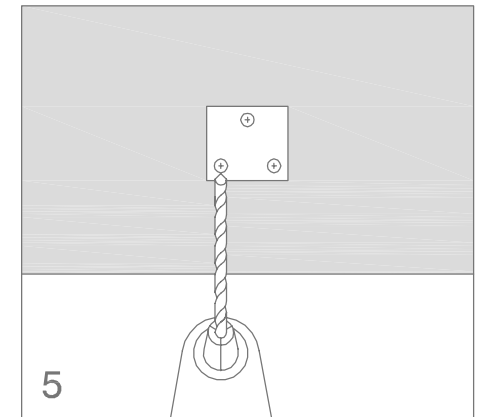
screw the ceiling connectors into the other end cap of the hicat® & tighten with the enclosed spanner



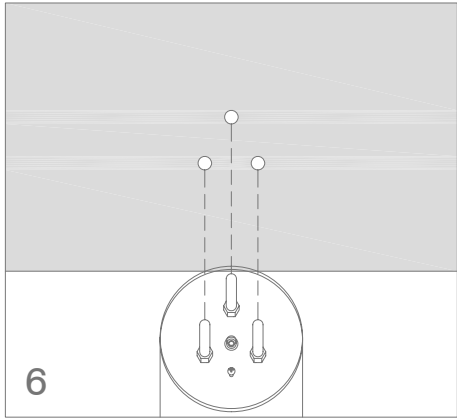
if the hicat® is being installed on a smooth floor surface stick the enclosed non-slip pad on to the foot



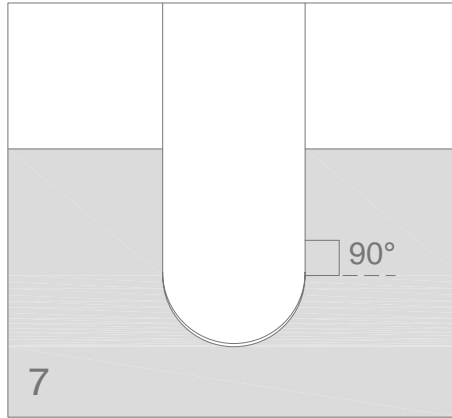
cut out the ceiling hole template on the back of these instructions as a guide for drilling ceiling holes



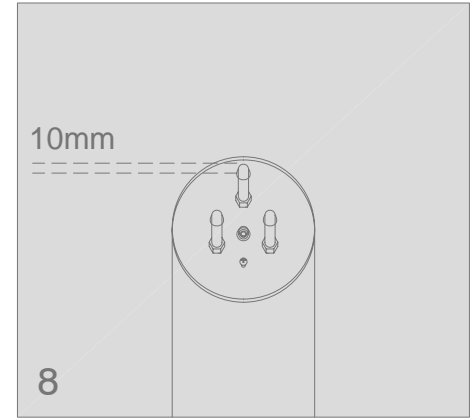
drill three holes in the ceiling at the centre of the proposed hicat® position using the enclosed drill bit



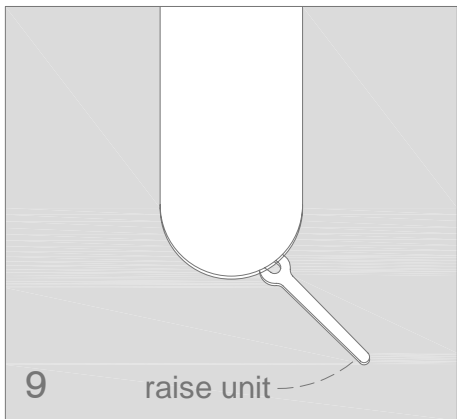
6 offer up the hicat® to the ceiling holes - it's best to have someone on a step ladder to guide the hicat® into position



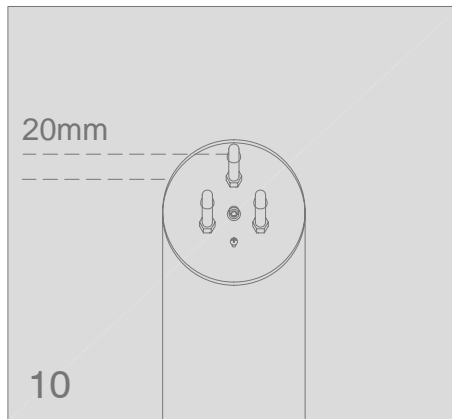
7 when it's located in to the ceiling holes adjust the hicat® so that it is plumb before adjusting the foot



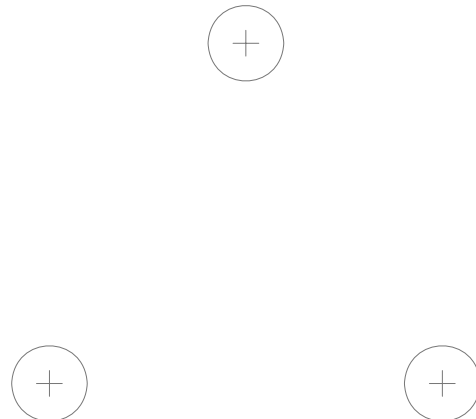
8 use the spanner to raise the hicat® so that the connector extends in to the ceiling hole by at least 10mm



9 raise the hicat® by using the spanner to rotate the foot in a clockwise direction



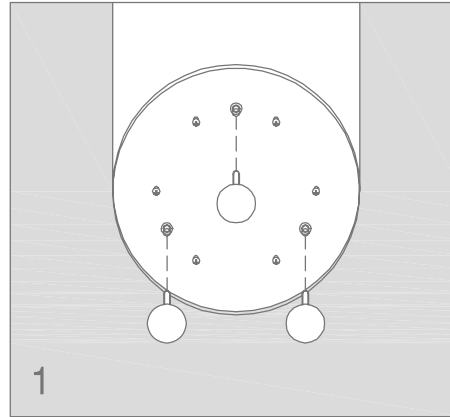
10 as a visual check the gap between the top of the hicat® & ceiling should be 20mm or less after installation



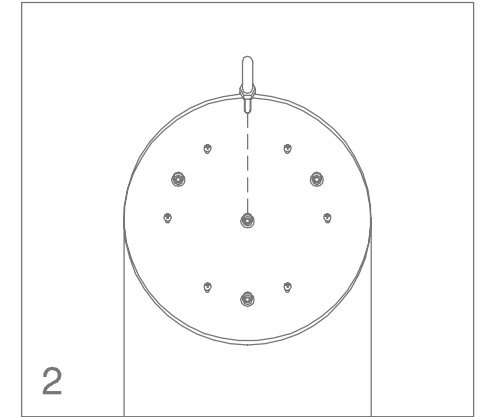
ceiling hole template



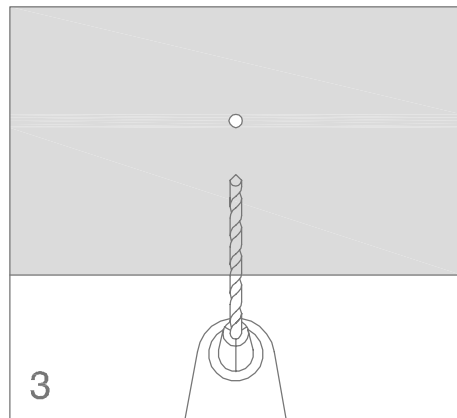
tom & fat tom installation instructions



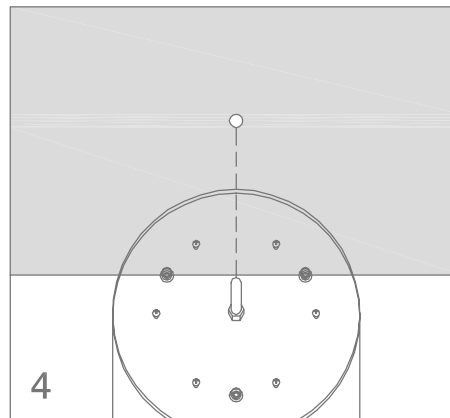
install the adjustable feet all the way in to the bottom end cap so hexagonal nut is flush & hand tighten only



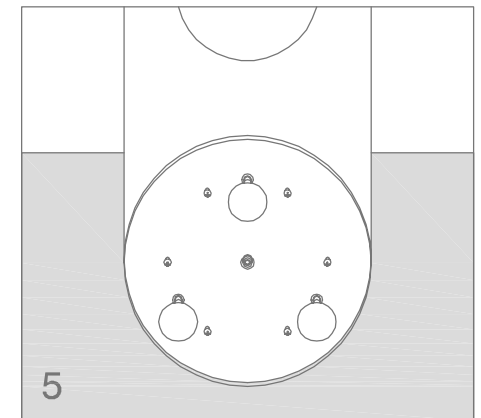
screw the ceiling connector into the centre hole of the top end cap & tighten with the enclosed spanner



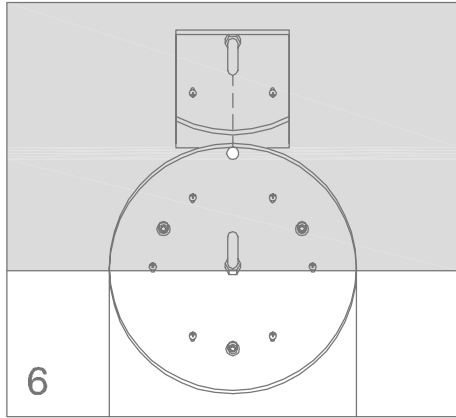
drill a hole in the ceiling at the centre of the proposed hicat® position using the enclosed drill bit



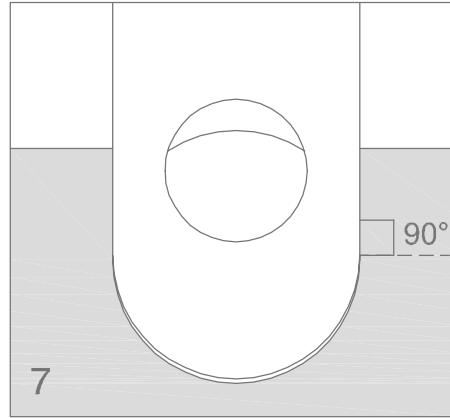
offer up the hicat® to the ceiling hole - it's best to have someone on a step ladder to guide the hicat® into position



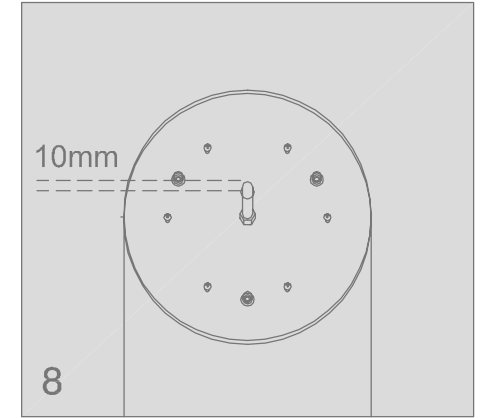
rotate the hicat® so the access holes face you & use them to lift the hicat® forward & up into its locked position



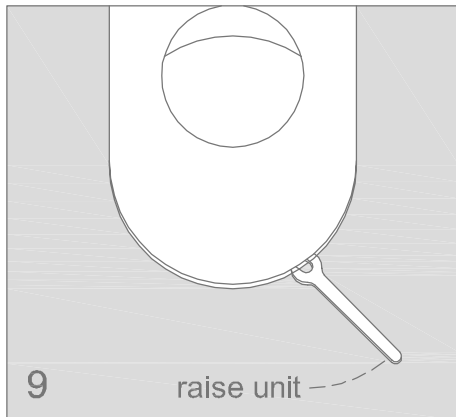
6
manoeuvring a hicat® into position can be tricky - a good tip is to use a mirror to help guide the connector into the hole



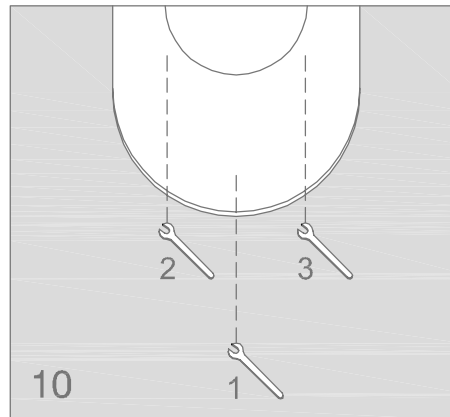
7
when it's located into the ceiling holes adjust the hicat® so that it is plumb before adjusting the foot



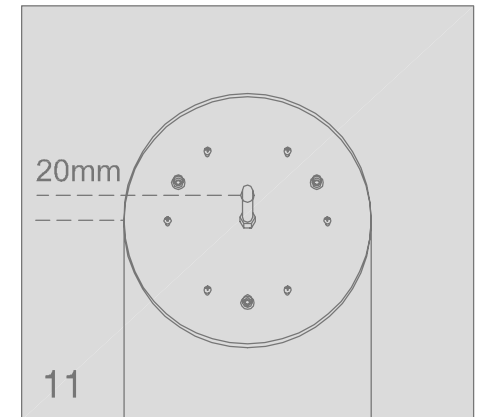
8
use the spanner to raise the hicat® so that the connector extends in to the ceiling hole by at least 10mm



9
raise the hicat® by using the spanner to rotate the feet in a clockwise direction



10
work around the hicat® foot-by-foot to raise it gradually until the hicat® is level & stable



11
as a visual check the gap between the top of the unit & ceiling should be 20mm or less after installation